

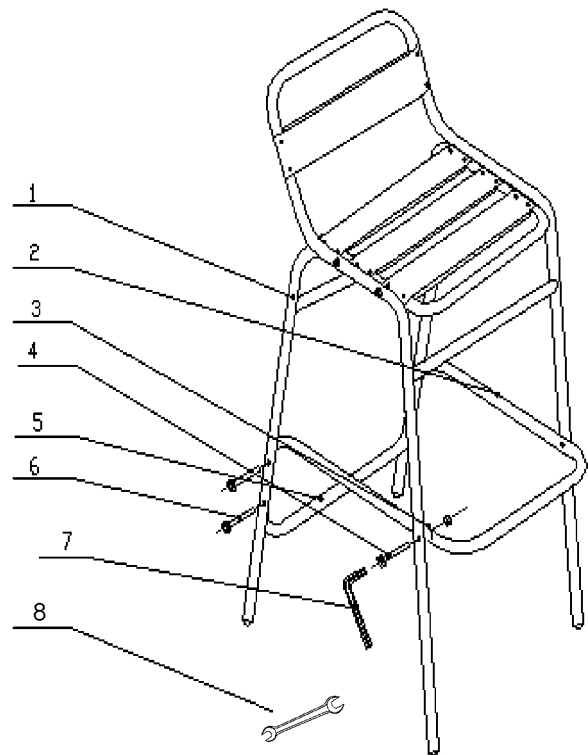
TABURETE ALTO BOLERO

Taburetes altos para barras / hostelería

BOLERO

Pack Contents:

1. Stool x 1
2. Foot rest x 1
3. Metal spacer x 4
4. Hex Socket bolt (long) x 2
5. Lock nut x 2
6. Hex socket bolt (short) x 4
7. Allen key x 1
8. Spanner x 1



Assembly Instructions:

1. Pass the longer bolt (4) through the outside front leg of the stool, then through two spacers (3) and then through the foot rest (2)
2. The flat sides of the spacers (3) should be together, and the curved sides should wrap around the leg of the stool and the bar of the footrest.
3. Fasten a nut (5) and tighten using Allen key (7) and a suitable spanner
4. Secure the rear of the footrest to the frame of the footstool by passing the shorter bolt (6) through the outside rear leg of the stool and through the foot rest (2)
5. Fasten a nut (5) and tighten using Allen key (7) and a suitable spanner